

# mITX-SKD10

Mini-ITX Embedded Motherboard  
Supporting Intel 6th Gen. Skylake 1151 CPU



## Features

- Intel H110 or B150 PCH, supporting Skylake/KabyLake processor
- Dual channel DDR4 (SO-DIMM) memory
- HDMI, DP, eDP display, supporting multiple independent display
- Support 10/100/1000Mbit ethernet card
- SATA3.0, M.2, Mini-PCIe
- 12V/19V DC input



## Introduction

The MITX-SKD1 0 is an embedded motherboard, supporting Intel® latest 6th and 7th Gen. Core™ i3/i5/i7 Celeron/Pentium processor. Loaded with B150/H110 chipset, this board features 1×Display Port and 1× HDMI, and also has 2×10M/100M/1000M LAN (RTL8111F) ports. It carries 2×DDR4 DIMM 2133/1866MHz slots up to 32GB to add higher bandwidth and lower latencies for processes.

That being said, this board is of high performance, capable of complex task, and is ideal for applications like network security, firewall, automation, digital signange, communication and so.



H/W Monitor



Watchdog

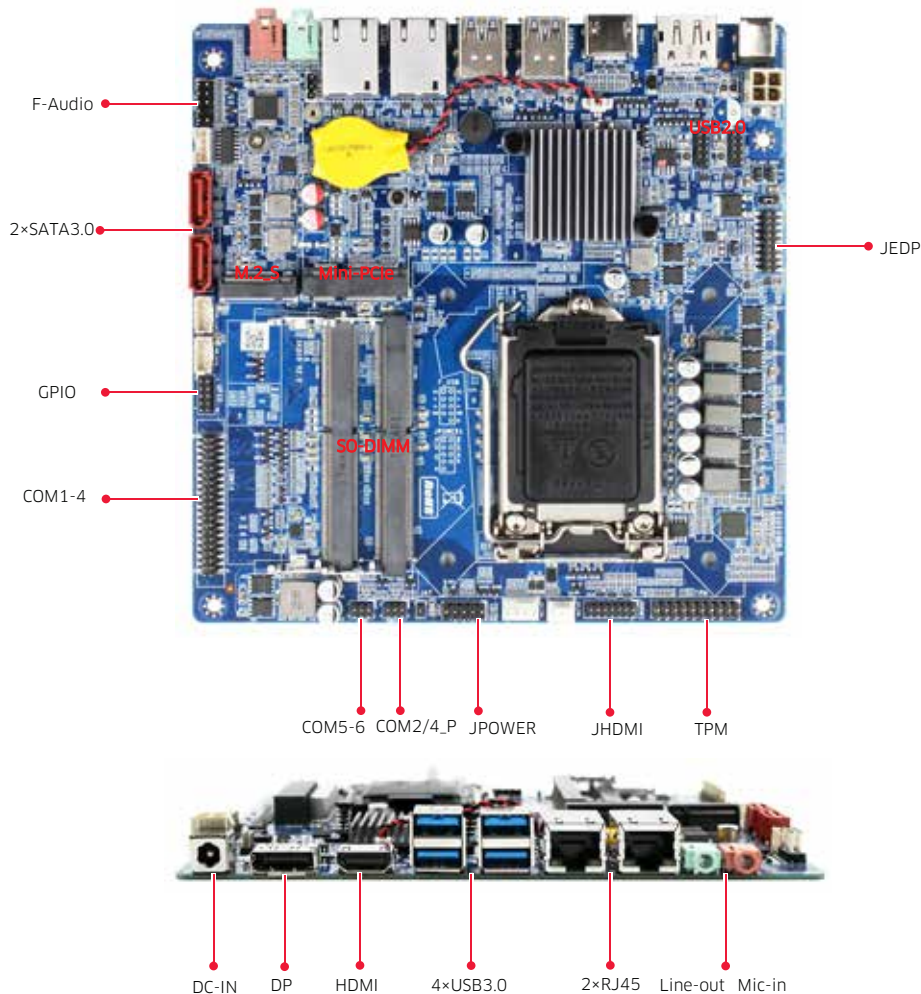


GPIO



Brightness

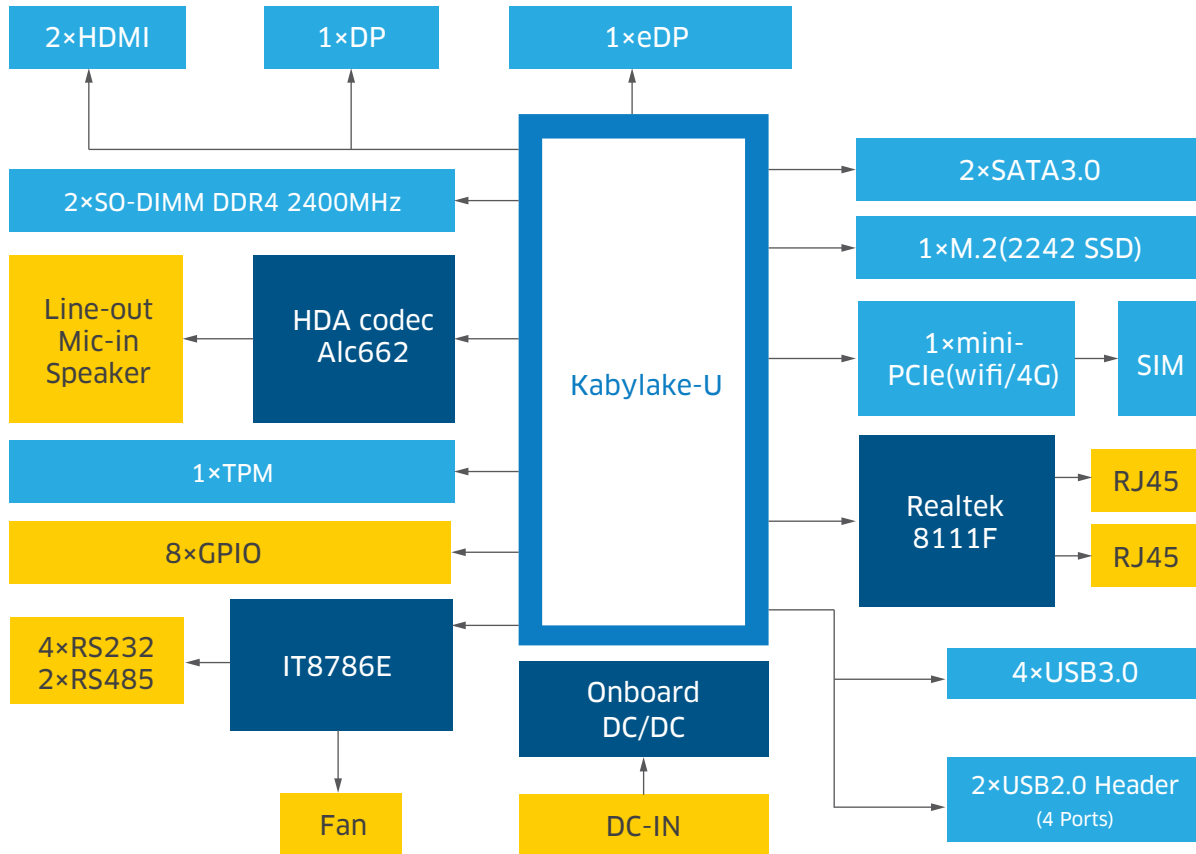
## I/O Interfaces



## Technical Specifications

<b>Processor</b>	CPU	<b>Intel® Skylake or Kabylake LGA1151 CPU</b>
	Chipset	Intel® H110 or B150 PCH
	BIOS	AMI 8MB UEFI BIOS
<b>Memory</b>	Type	Dual channel 2×DDR4-2400MHz
	Max.	32GB
<b>Display</b>	GPU	Intel HD Graphics (Based on CPU)
	HDMI	2 (one by header)
	DP	1
	eDP	1
	Multiple display	HDMI+DP+eDP, supporting 4K display
<b>Ethernet</b>	Speed	10/100/1000Mbps
	Controller	Realtek RTL8111F
	Interface	2x RJ45
	Wake on LAN	Yes
<b>Audio</b>	Audio codec	Realtek HD ALC662
	Interface	Line-out, Line-in(optional), MIC-in, audio header, amplifier header, SPDIF
<b>Hardware</b>		CPU system temperature, onboard voltage, watchdog, Auto power on
<b>Storage</b>	M.2	1×M.2 for 2242 SSD (SATA definition)
	SATA3.0	2×SATA3.0
<b>Expansion</b>	mini-PCIe	1×mini-PCIe for wifi or 4G
	SIM	1
<b>Rear Panel I/O</b>	Audio	1×Line-out, 1×MIC-in
	LAN	2(10/100/1000Mbps)
	USB3.0	4
	HDMI	1
	DP	1
<b>I/O header</b>	COM	4×RS232, 2×RS485 (COM2 and COM4 with power)
	USB2.0	4×USB2.0
	I/O	8×PIO
	eDP	1×DP
	JHDMI	1×JHDMI
	JPOWER	2×5PIN
	TPM	2×10PIN
<b>Power</b>	Standard port	1×12V/19V DC IN
	Peripheral	For fan
<b>Mechanical &amp; Environmental</b>	Type	Mini-ITX
	Size	170mm x 170mm (L×W)
	Operating Temp.	-40°C ~60°C
	Storage Temp.	-40°C ~80°C
<b>Operating System</b>		Win7 64 bit (Skylake onboard), Win10 64 bit, Linux

## SKD10 Functional Block Diagram



## Ordering Information

Model	CPU	Memory	HDMI	DP	eDP	LAN	Audio	RS232	RS485	USB3.0	USB2.0	SATA3.0	mini PCIE	M2	Power	Cooling
DTH110-D	Intel Skylake LGA1151	2x SO-DIMM DDR4	2	1	1	2	Yes	4	2	4	4	2	1	2	DC	Fan
DTB150-D	Intel Skylake LGA1151	2x SO-DIMM DDR4	2	1	1	2	Yes	4	2	4	4	2	1	2	DC	Fan
Customized	OEM/ODM available															

Copyright © 2018 Maxtang Technology Co., Ltd. All rights reserved. All data is for information purposes only and not guaranteed for legal purposes. Information has been carefully checked and is believed to be accurate however, no responsibility is assumed for inaccuracies. Maxtang and the Maxtang logo and all other trademarks or registered trademarks are the property of their respective owners and are recognized.