

# HWM-10

Intel® Haswell (FCPGA946) based Mini ITX  
Motherboard with HM86 Chipset



## Features

- CPU: Intel Haswell Celeron Pentium, Core Processors
- Memory: Dual Channel SO-DIMM DDR3L up to 32 GB
- Display: Multiple display via HDMI, VGA, LVDS/eDP
- Ethernet: 10/100/1000Mbps
- Storage: SATA3.0, mSATA
- Expansion: M.2 for WiFi
- Power: 12/19V DC input



IoT Solutions  
Alliance  
Industrial Solution  
Builders Specialist

**Maxtang**<sup>®</sup>

MAXIMIZING YOUR COMPUTING PRODUCTIVITY

## Introduction

The Maxtang mini-ITX HWM10 embedded motherboard is based on Intel Haswell processors with HM86 chipset, provides a complete PC platform with high performance. Dual-channel SO-DIMM DDR3L up to 32GB for its memory and SATA3.0, mSATA for its storage. Intel Integrated graphics (based on CPU), display via HDMI, VGA, and eDP/LVDS. Rich interfaces include 4xCOM, 1xLAN, 4xUSB3.2, and 4xUSB2.0 headers that cater to most market's requirements.

This industrial mini-ITX motherboard offers a lot of functionality right off the rear panel and its internal headers. It is composed of high-quality components intended for a long-life operation that is perfect for industrial environments. It retains a robust design just like all other Maxtang products with stability, reliability, and cost advantages.



H/W Monitor



Watchdog

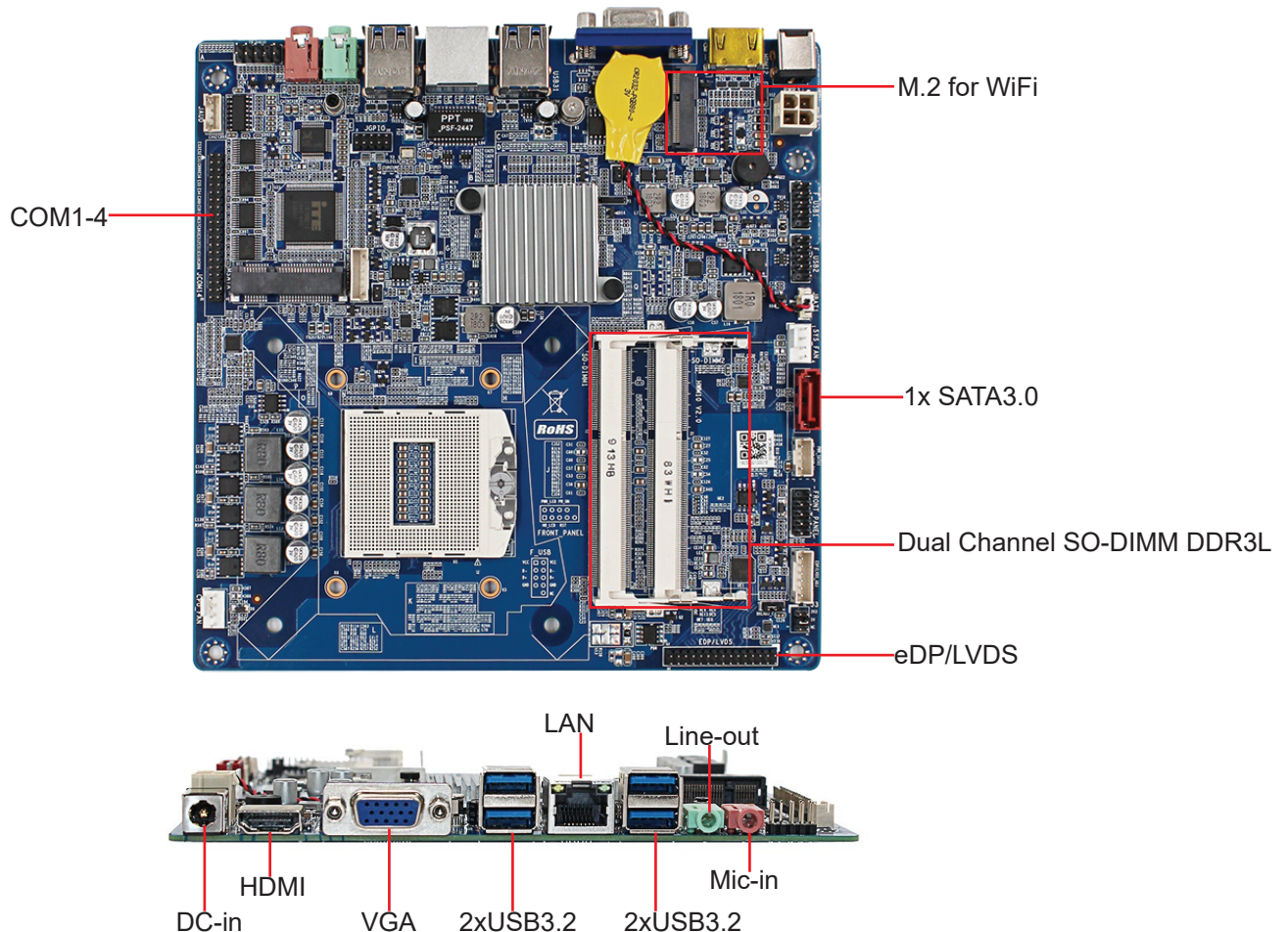


GPIO



Brightness

## I/O Interfaces

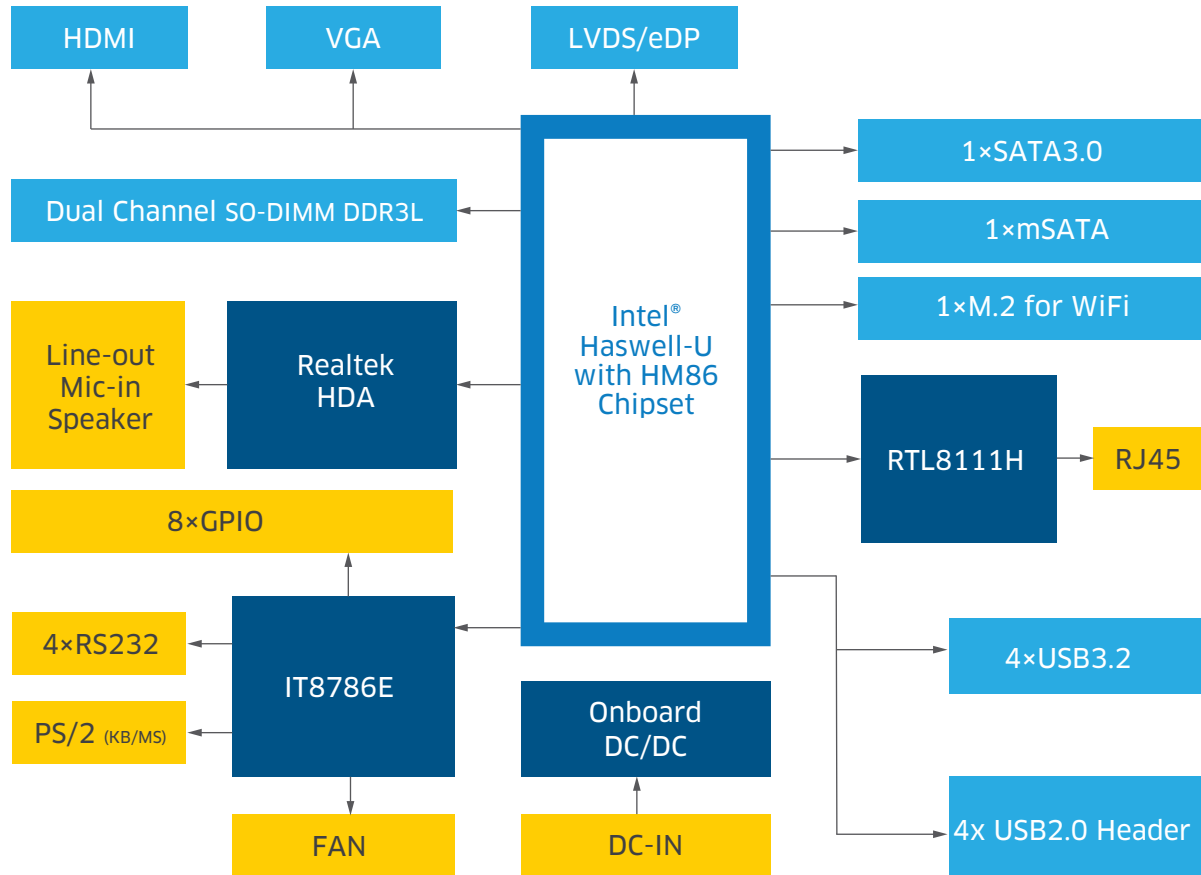


## Technical Specifications

Processor	CPU	Intel Haswell Celeron Pentium, Core Processor (FCPGA946)
	Chipset	HM86
	BIOS	AMI UEFI BIOS
Memory	Type	Dual Channel SO-DIMM DDR3L
	Max. Capacity	32GB
Display	GPU	Intel Integrated Graphics based on CPU
	Type	1x VGA + 1x HDMI + 1x LVDS/ eDP
Ethernet	Speed	10/100/1000 Mbps
	Controller	Realtek RTL8111H
	Interface	RJ45
	Wake on LAN	Yes
Audio	Audio Codec	Realtek HD
	Interface	Line-out, Mic-in, audio header, SPDIF header, amplifier header
Hardware		CPU system temperature, on-board voltage, watchdog
Storage	SATA3.0	1
	mSATA	1
Expansion	M.2	1x M.2 for Wi-Fi
I/O Interface	LAN	1
	COM	4x RS232
	USB3.2	4
	USB2.0	4*header
	Audio	1x Line-out, 1x Mic-in
	GPIO	8
	PS/2	1
	Dimension	Size
Power	Board Type	Mini ITX
	Standard Port	12V DC-in/4-pin power
	Peripheral Input	For Fan and SATA
Temperature	Operating Temp.	-20°C to 60°C
	Storage Temp.	-40°C to 80°C
Operating System		Win7/8/8.1/10 32/64bit, Linux 32/64bit

\* All specifications and photos are subject to change without notice.

## Functional Block Diagram



Copyright © 2018 Maxtang Technology Co. Ltd. All rights reserved. All data is for information purposes only and not guaranteed for legal purposes. Information has been carefully checked and is believed to be accurate however, no responsibility is assumed for inaccuracies. Maxtang and the Maxtang logo and all other trademarks or registered trademarks are the property of their respective owners and are recognized.